

Bailey Sure-line

Data sheet

PRE-FORMED ROOF EDGING SYSTEM, RAPID, EFFICIENT AND COST EFFECTIVE

Manufactured

from galvanised steel with a factory applied membrane Bailey Sure-line roof edging brings an end to labour intensive detailing. Bailey Sure-line increases security and efficiency of vulnerable roof edge areas and is simple to use with a unique 'slide and lock' application. The pre-formed edge unit removes the need to cut and fold details on site and is quickly and securely completed enabling a quick turn-round of contracts.

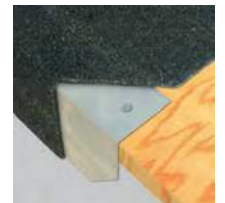


Bailey Sure-line

- Easy to use and install system
- Increases the speed of completion
- Dimensionally stable
- Available in two metre lengths
- Gives a clean straight edge to flat roofs
- AVAILABLE FOR SYSTEM 12000, SYSTEM 5000 CLASSIC SYSTEM 17000
- At least 50% quicker than traditional methods of detailing

1.

Secure the galvanised steel of the 2m section to the roof deck.



2.

'Slide and lock' next section into place then secure galvanised steel to roof deck.



3.

Depending on the membrane, torch or hot air weld the seam to complete Sure-line installation.

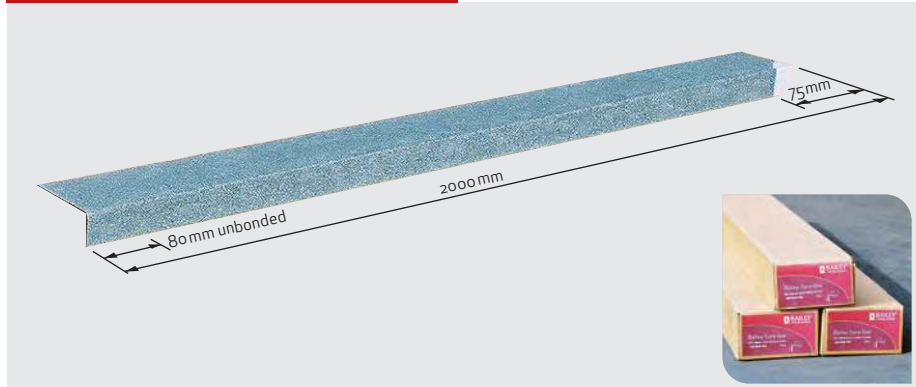


Bailey Sure-line

Data sheet



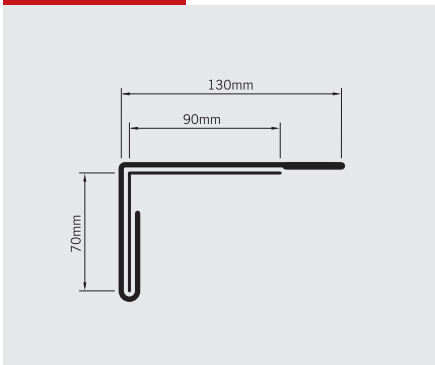
2000mm / Pre-formed Roof Edging System



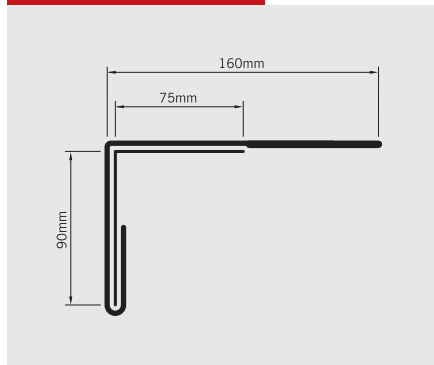
Bailey Sure-line

Sure-line roofing system is manufactured in pre-formed lengths of 2m detail units, greatly increasing the speed and efficiency of installation compared with traditional detailing. With factory applied membrane, Bailey Sure-line is available as drip edge trim, watercheck edge trim, upstand flashing and wall cover flashing.

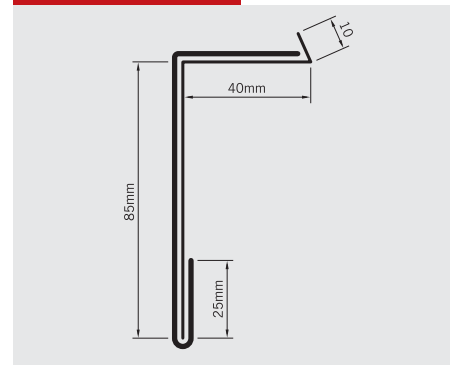
Drip Edge Trim



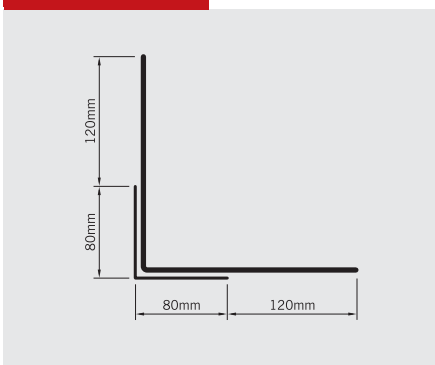
Watercheck Edge Trim



Wall Cover Flashing



Upstand Flashing



Bailey Sure-line

For efficient and cost effective roof edge solutions



UK office

Blatchford Close Horsham
West Sussex RH13 5RF
Tel +44 (0)1403 261844
Email sales@bailey-uk.com
www.bailey-uk.com

European office

Tel +31 (0)88 100 3800
Email sales@bailey-eu.com
www.bailey-eu.com